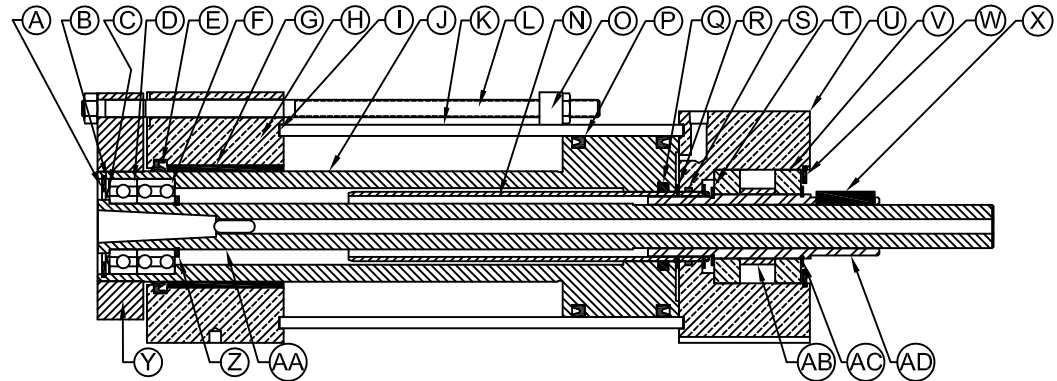
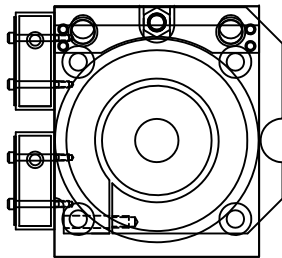


ITEM	QUAN	DESCRIPTION	PART NO. 5X60	ITEM	QUAN	DESCRIPTION	PART NO. 5X60
A	1	INNER QUILL SNAP RING	A5XXXC801X	T	1	5000 DRIVE SPLINE SNAP RING #1	A5XXXC820X
B	1	5000 WAVE WASHER	A2X60C802X	U	1	5000 REAR HOUSING	A5XXXC821X
C	1	5000 SUPER SEAL +++	A5X60C803X	V	2	5000 SPLINE BEARING	A5XXXC822X
D	1	5000 SPINDLE BEARING - RADIAL	A5XXXC804X	W	1	5000 REAR HOUSING SNAP RING	A5XXXC823X
E	1	5000 WIPER SEAL	A5XXXC805X	X	1	5000 DRIVE KEY	A5XXXC824X
F	1	5000 SPINDLE BEARING - THRUST	A5XXXC806X	Y	1	5100 STOP COLLAR	A5XXXC825X
G	1	5000 BUSHING	A5XXXC807X	Y	1	5200 STOP COLLAR	A5XXXC833X
H	1	5000 FRONT HOUSING	A5XXXC808X	Z	1	5000 SPINDLE BEARING SNAP RING	A5X60C826X
I	2	5000 CYLINDER SEAL	A5XXXC809X	AA	1	5060 SPINDLE	A5XXXC827X
J	1	5060 QUILL	A5X60C810X	AB	1	5000 BEARING SPACER	A5XXXC828X
K	1	5060 CYLINDER	A5XXXC811X	AC	1	5000 DRIVE SPLINE SNAP RING #2	A5XXXC829X
L	1	5060 STOP ROD	A5X60C812X	AD	1	5000 DRIVE SPLINE	A5XXXC830X
M	1	5000 STOP ROD SNAP RING	A5X60C813X ***	AE	4	5060 TIE ROD	A5XXXC831X ***
N	1	5060 SEAL TUBE	A5XXXC814X	AF	4	5000 TIE ROD LOCK WASHER	A5XXXC832X ***
O	1	5000 STOP ROD BLOCK & LOCKNUT	A5XXXC815X				
P	2	5000 PISTON SEAL	A5XXXC816X				
Q	1	5000 INNER PISTON SEAL	A5XXXC817X				
R	2	5000 SEAL TUBE SNAP RING	A5XXXC818X				
S	1	5000 O-RING	A5XXXC819X				

+++ = OPTIONAL SEAL

*** = NOT SHOWN IN THE DRAWING



SPECIFY MODEL AND SERIAL NUMBER WHEN PURCHASING SPARE PARTS

AutoDrill™		
5X60 AUTODRILL PARTS		
DATE 2/12/2008	DRAWN BY	DRAWING NO.
SCALE	MATERIAL	5000 PARTS BREAKDOWN