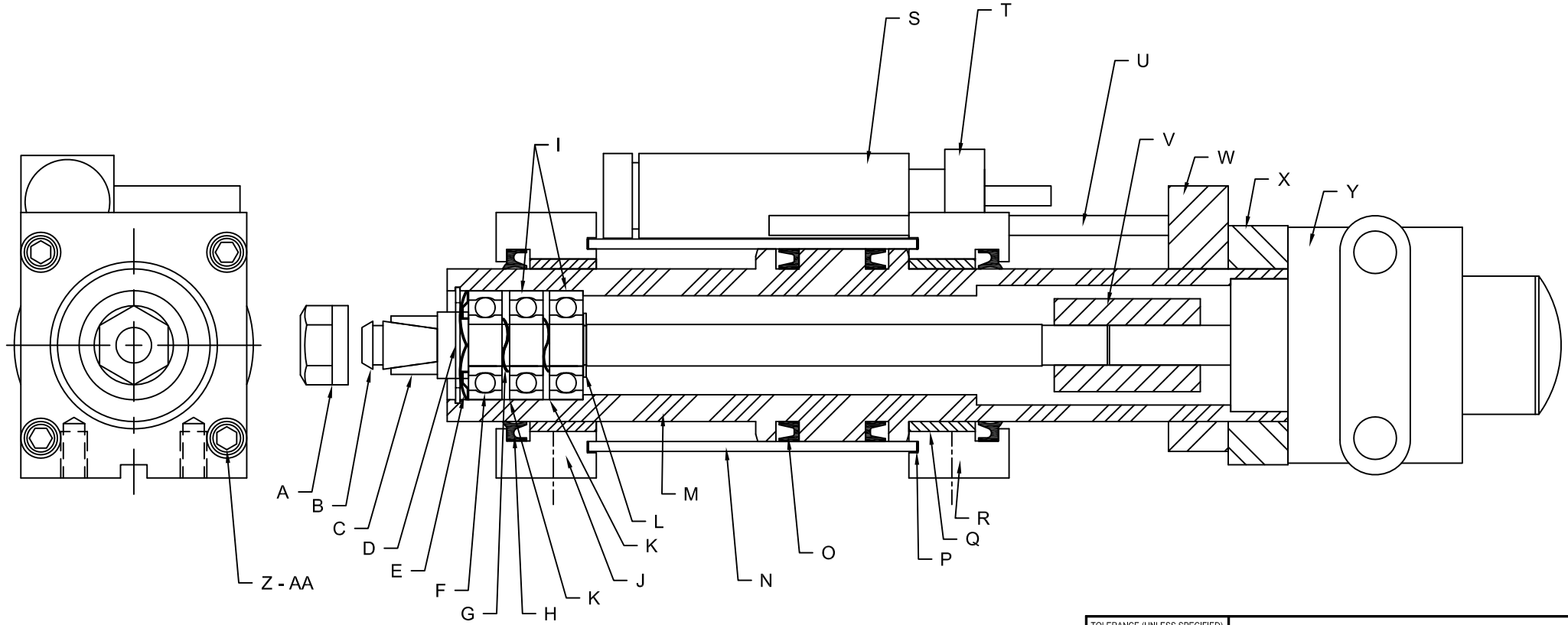


ITEM	QUAN	DESCRIPTION	PART NO.	ITEM	QUAN	DESCRIPTION	PART NO.
A	1	COLLET NUT	AFXXA708	N	1	CYLINDER TUBE	AFX15A704
B	1	COLLET	AFXXA709	O	2	PISTON SEAL	AFXXA719
C	1	SPINDLE	AFX15A700	P	2	CYLINDER GASKET	AFXXA705
D	1	QUILL SNAP RING	AFXXA710	Q	2	QUILL BUSHING	AFXXA706
E	1	TAKEUP WASHER	AFXXA711	R	1	REAR HOUSING	AFXXA702
E1	1	SUPER SEAL (OPTIONAL)	AFXXA712	S	1	HYDRO SPEED	AFXXA727
F	1	SPINDLE BEARING (SEALED)	AFXXA713	T	1	HYDRO SPEED CLAMP	AFXXA728
G	2	BEARING TAKEUP WASHER	AFXXA714	U	1	SIGNAL ROD	AFX15A726
H	2	WIPER SEAL	AFXXA715	V	1	COUPLING SET (3 PCS)	AFXXA721
I	2	SPINDLE BEARING (SHIELD)	AFXXA726	W	1	COLLAR	AFXXA707
J	1	FRONT HOUSING	AFXXA701	X	1	CLAMP	AFXXA722
K	2	SPACER	AFXXA717	Y	1	AIR OR ELECTRIC MOTOR	AFXXA723
L	1	SPINDLE SNAP RING	AFXXA718	Z	4	TIE ROD	AFX15A724
M	1	QUILL	AFX15A703	AA	4	TIE ROD WASHER	AFXXA725

WHEN ORDERING PARTS, REFER TO PART BY PART NUMBER.
UNIT SERIAL NUMBER IS ALSO HELPFUL.



TOLERANCE (UNLESS SPECIFIED) FRACTIONAL +/- 1/32 DECIMAL .XX +/- .015 DECIMAL .XXX +/- .005 ANGULAR +/- 1/2° FINISH 63 MICROINCH CORNER R.010 MAX INT. THREADS UN CLASS 2B EXT. THREADS UN CLASS 2A L .003 INCH MAX DEV // .003 INCH MAX DEV		<h1 style="margin: 0;">AutoDrill™</h1> <h2 style="margin: 0;">1000 AUTODRILL PARTS LIST</h2>	
DATE	5/12/01	DRAWN BY	DRAWING NO.
SCALE		MATERIAL	1000_PARTLIST
REV	CHANGE	DATE	REV