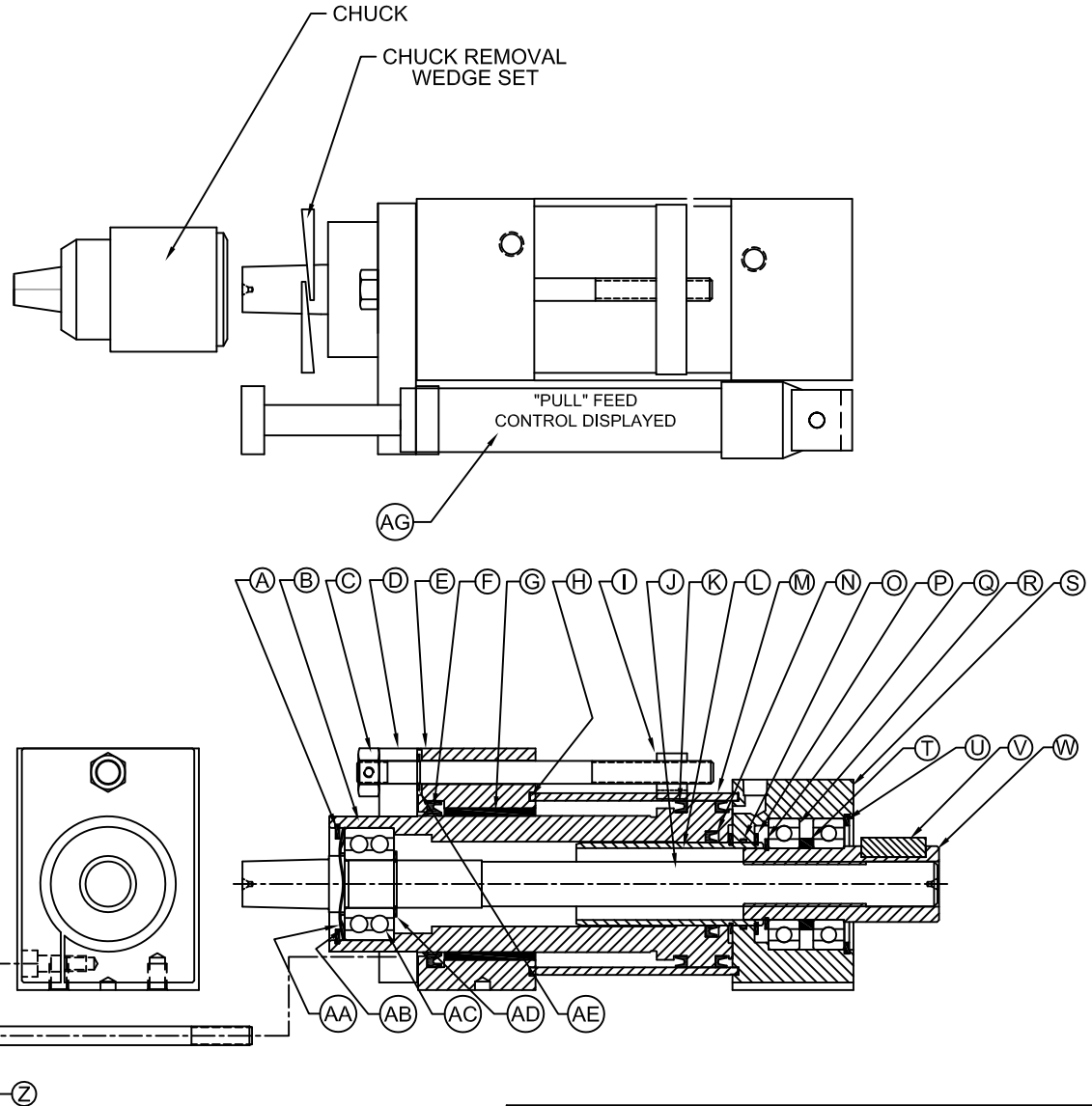


ITEM	QUAN	DESCRIPTION	PART NO. 2020	PART NO. 2040
A	1	INNER QUILL SNAP RING	AAXXC001X	AAXXC001X
B	1	QUILL	AAX20C002X	AAX40C002X
C	1	STOP BOLT	AAX20C003X	AAX40C003X
D	1	STOP COLLAR	AAXXC004X	AAXXC004X
E	1	FRONT HOUSING	AAXXC005X	AAXXC005X
F	1	WIPER SEAL	AAXXC006X	AAXXC006X
G	1	BUSHING	AAXXC007X	AAXXC007X
H	2	CYLINDER SEAL	AAXXC008X	AAXXC008X
I	1	STOP NUT	AAXXC009X	AAXXC009X
J	1	SPINDLE	AAX20C010X	AAX40C010X
K	2	PISTON SEAL	AAXXC011X	AAXXC011X
L	1	SEAL TUBE	AAX20C012X	AAX40C012X
M	1	CYLINDER	AAX20C013X	AAX40C013X
N	1	INNER PISTON SEAL	AAXXC014X	AAXXC014X
O	1	O-RING	AAXXC015X	AAXXC015X
P	2	SEAL TUBE SNAP RING	AAXXC016X	AAXXC016X
Q	1	DRIVE BUSHING SNAP RING	AAXXC017X	AAXXC017X
R	2	REAR BEARING	AAXXC018X	AAXXC018X
S	1	REAR HOUSING	AAXXC019X	AAXXC019X
T	1	BEARING SPACER	AAXXC020X	AAXXC020X
U	1	REAR HOUSING SNAP RING	AAXXC021X	AAXXC021X
V	1	DRIVE KEY	AAXXC022X	AAXXC022X
W	1	DRIVE BUSHING	AAXXC023X	AAXXC023X
X	1	STOP COLLAR CLAMP SCREW	AAXXC024X	AAXXC024X
Y	4	TIE ROD, 5/16-18 X 5-1/4 LG SHCS	AAX20C025X	AAX40C025X
Z	4	LOCK WASHER, TIE ROD	AAXXC026X	AAXXC026X
AA	1	WAVE WASHER	AAXXC028X	AAXXC028X
AB	1	SUPER SEAL +++	AAXXC029X	AAXXC029X
AC	1	SPINDLE BEARING	AAXXC030X	AAXXC030X
AD	1	SPINDLE BEARING SNAP RING	AAXXC031X	AAXXC031X
AE	1	STOP BOLT SNAP RING	AAXXC032X	AAXXC032X
	1	SEAL SET OF F, H(2), K(2), N & O	2000SEAL	2000SEAL
AG	1	FEED CONTROL ###	SPECIFY S.N.	SPECIFY S.N.

WHEN ORDERING PARTS PROVIDE:

1. AUTODRILL MODEL NO.
2. SERIAL NUMBER
3. PART NO. OR CALLOUT ITEM

THE HYDRAULIC FEED CONTROL IS PART OF OUR 2100 AND 2200 SERIES AUTODRILLS. FOR THE 2100 SERIES AUTODRILL, SUCH AS 2140-1, THE NUMBER AFTER THE DASH SPECIFIES THE FEED CONTROL LENGTH. THIS IS A "PUSH" TYPE CONTROL. FOR THE 2200 SERIES AUTODRILL, SUCH AS 2240-2, THE NUMBER AFTER THE DASH SPECIFIES THE FEED CONTROL LENGTH. THIS IS A "PULL" TYPE CONTROL. TO ORDER A SPARE FEED CONTROL SPECIFY THE MODEL NUMBER.



TOLERANCE (UNLESS SPECIFIED)	
FRACTIONAL +/- 1/32	
DECIMAL .XX +/- .015	
DECIMAL .XXX +/- .005	
ANGULAR +/- 1/2°	
FINISH 63 MICRINCH	
CORNER R.010 MAX	
INT. THREADS UN CLASS 2B	
EXT. THREADS UN CLASS 2A	
∓ .003 INCH MAX DEV	
∓ .003 INCH MAX DEV	

AutoDrill™			
SERIES 2000/2100 AutoDrill			
DATE	6/30/99	DRAWN BY	JA
DRAWING NO.	2000PARTS	REV	
SCALE		MATERIAL	

REV	CHANGE	DATE
-----	--------	------