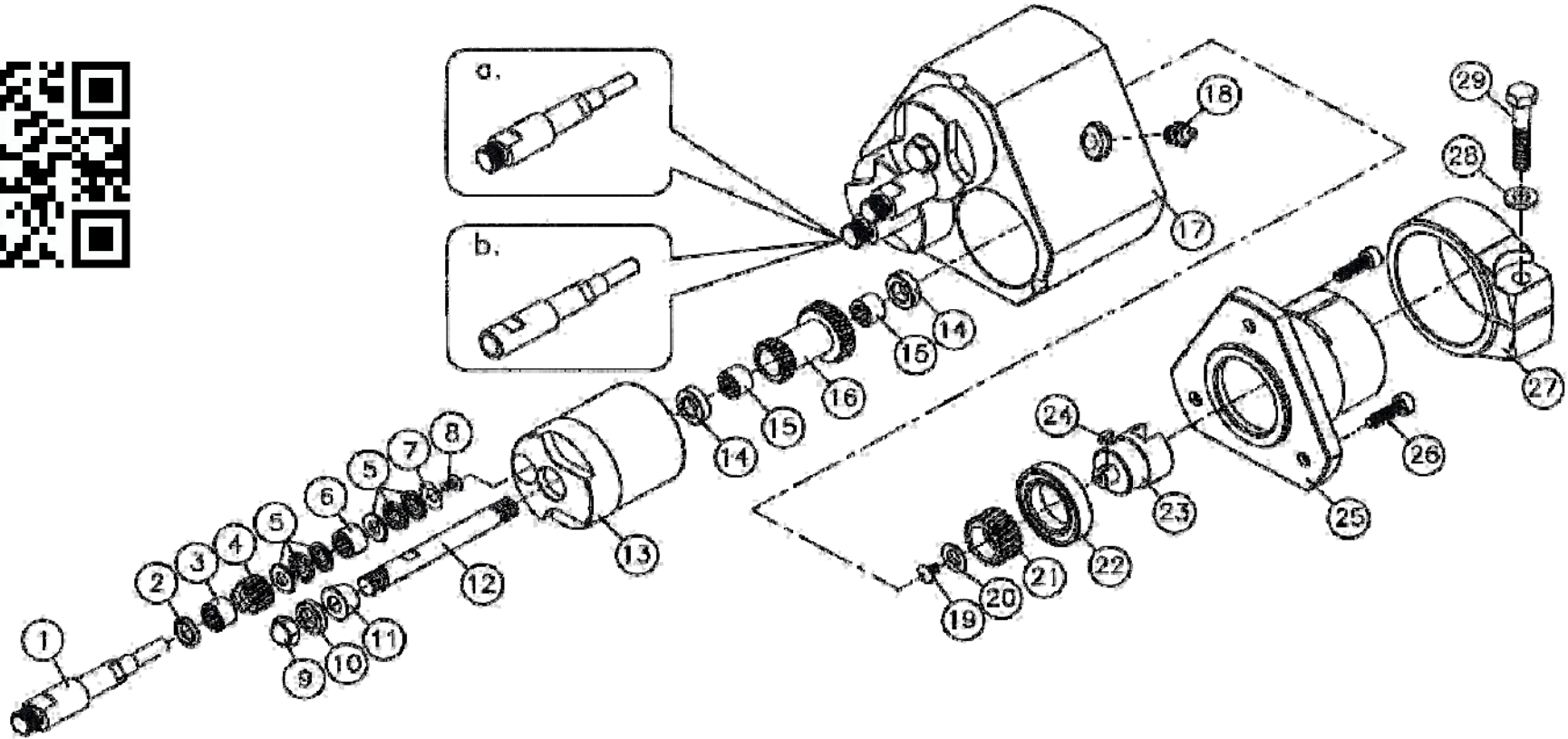


3-SPINDLE CIRCULAR BORING HEAD, MODEL: MS3C-7



ITEM	Q'TY	DESCRIPTION	ITEM	Q'TY	DESCRIPTION	ITEM	Q'TY	DESCRIPTION
1	3	SPINDLE	12	3	PRECISION STUD	23	1	DRIVE SPINDLE
2	3	OIL SEAL	13	3	TURRET	24	1	KEY
3	3	NEEDLE BEARING	14	6	THICK BRASS SPACER	25	1	ADAPTER
4	3	GEAR	15	6	NEEDLE BEARING	26	3	SOCKET HEAD SCREW
5	6	THRUST BEARING	16	3	GEAR SET	27	1	ADAPTER CLAMP
6	3	NEEDLE BEARING	17	1	HOUSING	28	1	ADAPTER CLAMP LOCK WASHER
7	3	BELLEVILLE WASHER	18	1	GREASE FITTINGS	29	1	ADAPTER CLAMP BOLT
8	3	SOCKET HEAD SCREW	19	1	SOCKET HEAD SCREW	30	3	COLLET (PLEASE SPECIFY SIZE)
9	3	NUT	20	1	SPACER	31	3	COLLET NUT
10	3	SPACER	21	1	DRIVE SPINDLE GEAR			30 & 31 NOT SHOWN IN THE EXPLODED VIEW
11	3	CONICAL WASHER	22	1	BALL BEARING			