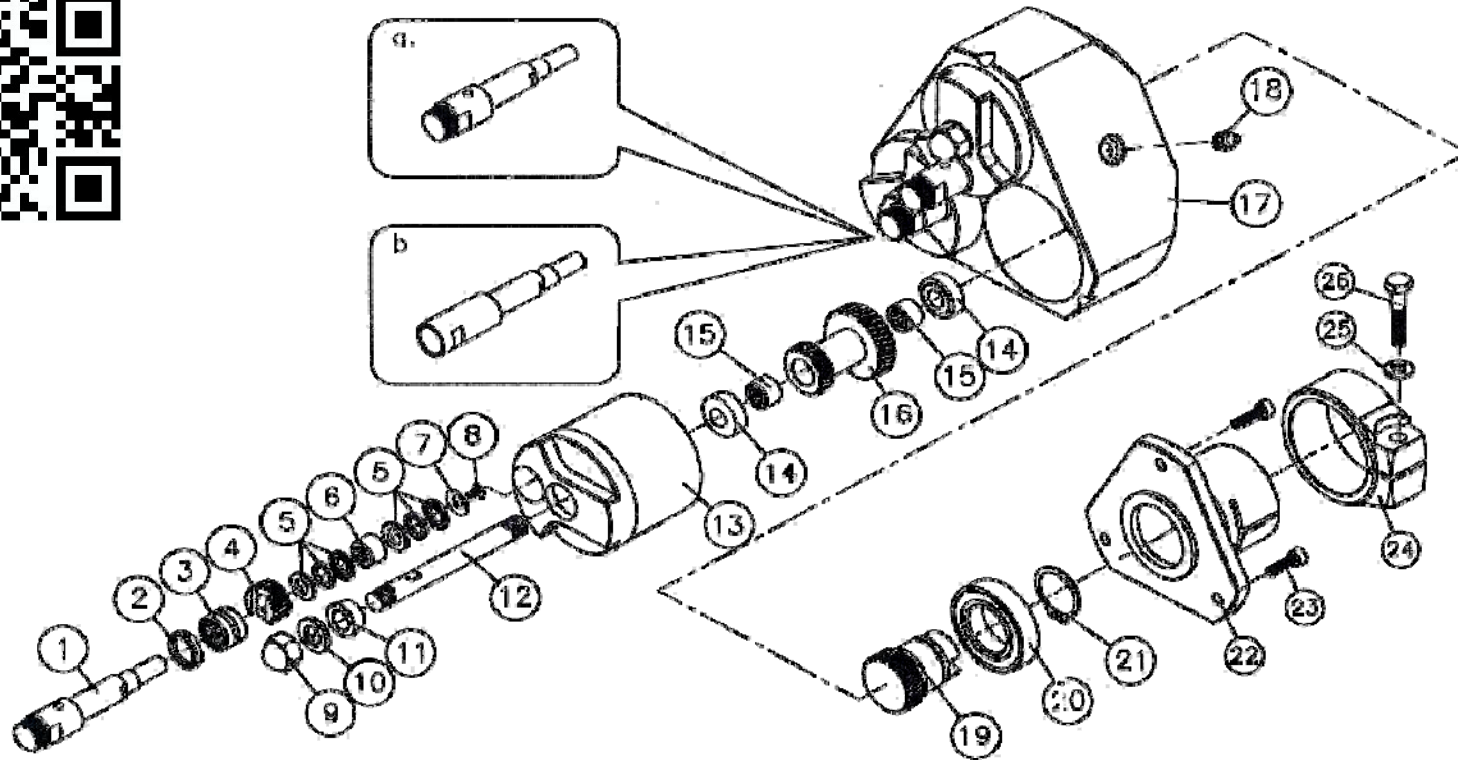


### 3-SPINDLE CIRCULAR BORING HEAD, MODEL: MS3C-13



ITEM	Q'TY	DESCRIPTION	ITEM	Q'TY	DESCRIPTION	ITEM	Q'TY	DESCRIPTION
1	3	SPINDLE	11	3	CONICAL WASHER	21	1	SNAP RING
2	3	OIL SEAL	12	3	PRECISION STUD	22	1	ADAPTER
3	3	NEEDLE BEARING	13	3	TURRET	23	3	SOCKET HEAD SCREW
4	3	GEAR	14	6	THICK BRASS SPACER	24	1	ADAPTER CLAMP
5	6	THRUST BEARING	15	6	NEEDLE BEARING	25	1	ADAPTER CLAMP LOCK WASHER
6	3	NEEDLE BEARING	16	3	GEAR SET	26	1	ADAPTER CLAMP BOLT
7	3	BELLEVILLE WASHER	17	1	HOUSING	28	3	COLLET (PLEASE SPECIFY SIZE)
8	3	SOCKET HEAD SCREW	18	1	GREASE FITTINGS	29	3	COLLET NUT
9	3	NUT	19	1	DRIVE SPINDLE			28 & 29 NOT SHOWN IN THE EXPLODED VIEW
10	3	SPACER	20	1	BALL BEARING			