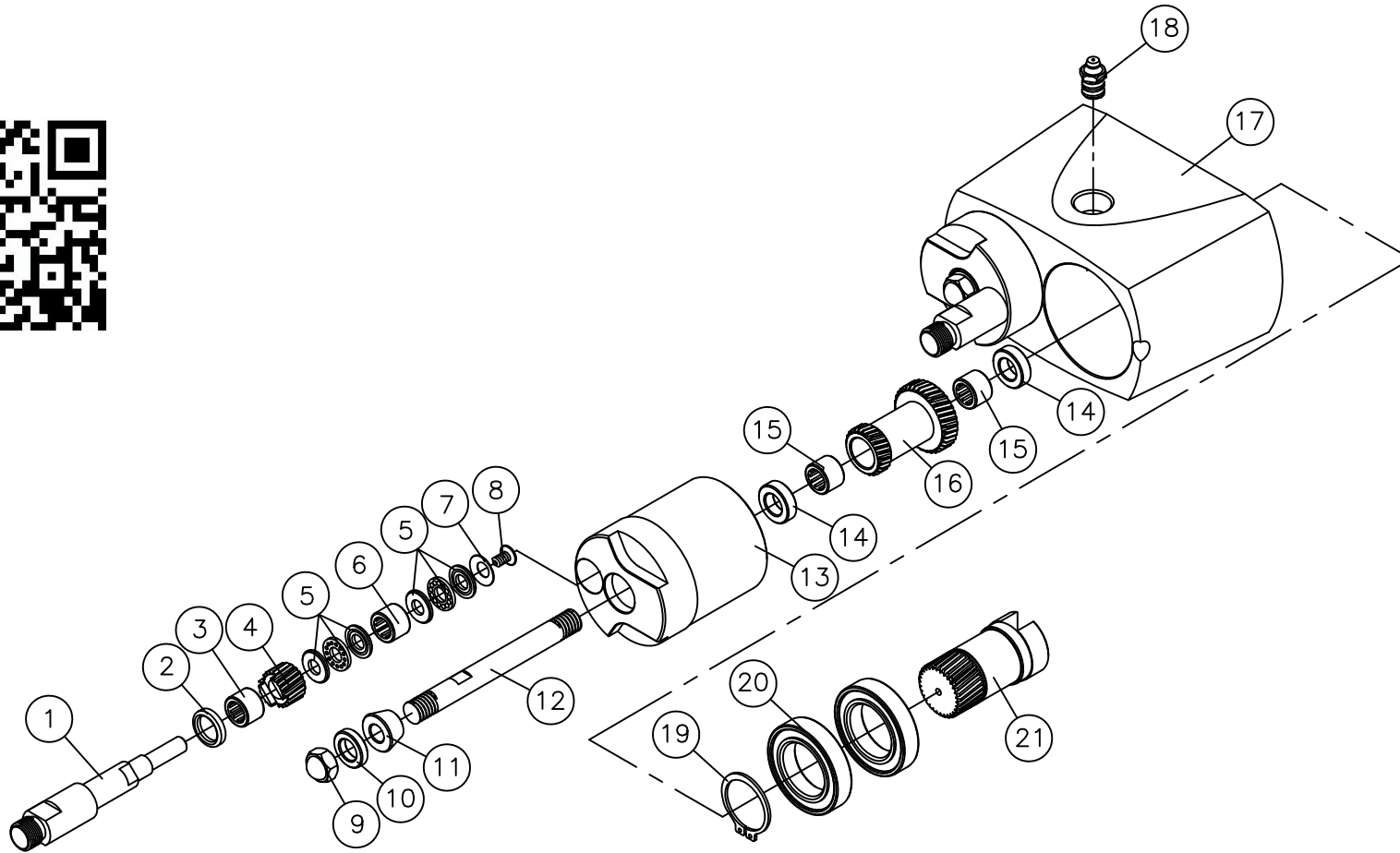


TWO SPINDLE ADJUSTABLE DRILLING HEAD, MODEL MS2-7



ITEM	QTY	DESCRIPTION	ITEM	QTY	DESCRIPTION	ITEM	QTY	DESCRIPTION
1	2	SPINDLE	11	2	CONICAL WASHER	21	1	DRIVE SPINDLE
2	2	OIL SEAL-12 IDx16 ODx3 TK	12	2	PRECISION STUD	22		
3	2	NEEDLE BEARING #1210	13	2	TURRET	23		
4	2	GEAR	14	4	THICK BRASS SPACER	24		
5	4	THRUST BEARING #1570	15	4	NEEDLE BEARING #1010	25		
6	2	NEEDLE BEARING #71410	16	2	GEAR SET	26		
6**	2	NEEDLE BEARING #0709	17	1	HOUSING	27		
7	2	BELLEVILLE WASHER	18	1	GREASE FITTING	28		
8	2	SOCKET HEAD SCREW	19	1	SNAP RING	29		
9	2	ACORN NUT	20	2	DRIVE SPINDLE BRG #6905Z	30		
10	2	SPACER						

6** - NEW STYLE